

www.felesa.com

New

μGRL

microGRL



...special refurbishments
...special reduced shafts

..reduced pit
..reduced headroom
..minimum shafts
..maximum cabins

FELESA



Specially destined to:

Refurbishments

Reduction not useful volumes

Applicable to the maximum number of facilities

Energetic saving

Reduction consumptions with machines gearless

Utilization steels high resistances

Comfort

Isolation installation

Reduction noises and vibrations



Special Characteristics

Pit: 300mm

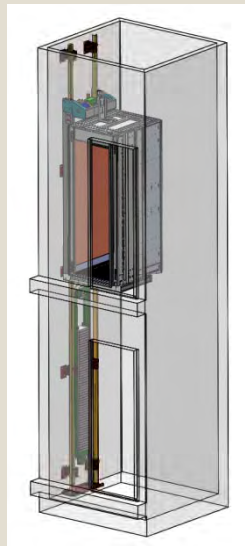
Headroom: 2700mm

Distance Wall-Cabine: 250mm

(Mechanical width 730mm)

Single phase 220v

3 phase 380v



Standars

EN81-1:1998

EN81-1:2001/A2

EN81-21:2009

EC examination

EN81-1:1998 items. 9.1.2a 9.2.1



Range

Load: 180kg-630kg

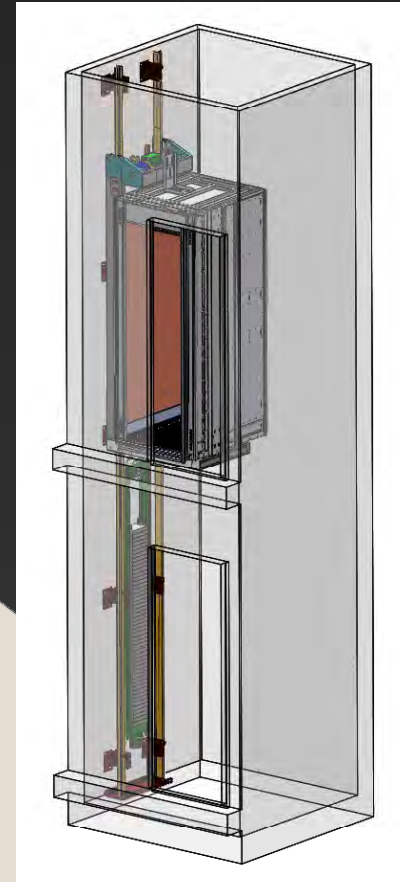
Speed: 1m/s

Acting: 2:1

Gearless machines

With/Without machine room

Facility of assembly



Types

μGRL-1

Pit:300mm

Headroom: 3400mm

Wall-Cabine: 250mm

Mechanical : 730mm

μGRL-2

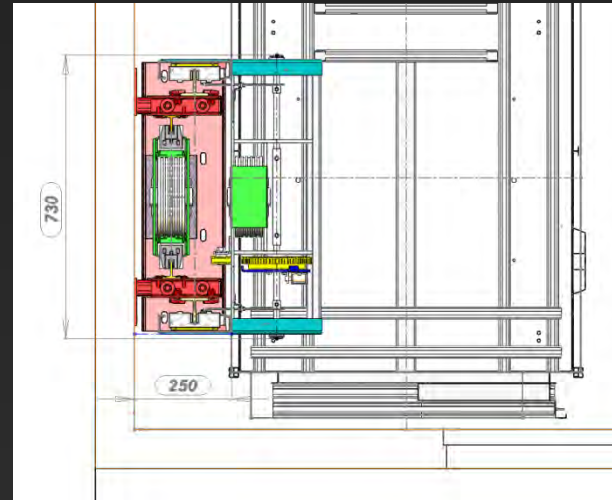
Pit:300mm

Headroom: 2700mm

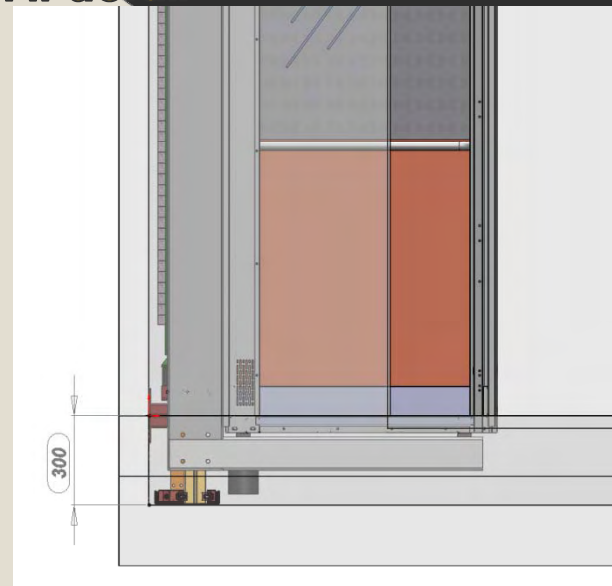
Wall-Cabine:340mm

Mechanical: 730mm

Layout detail



Pit detail



Guide Rails

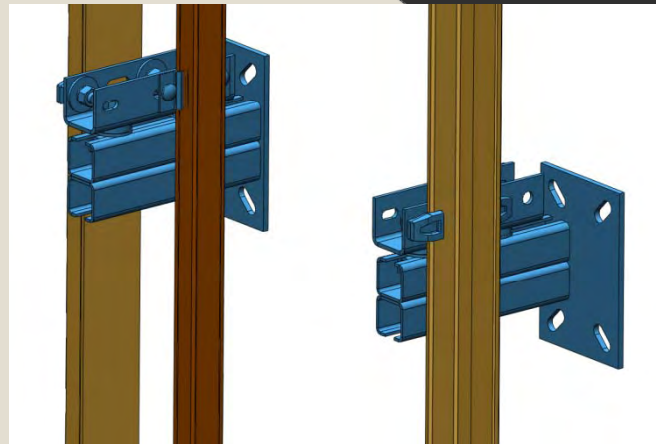
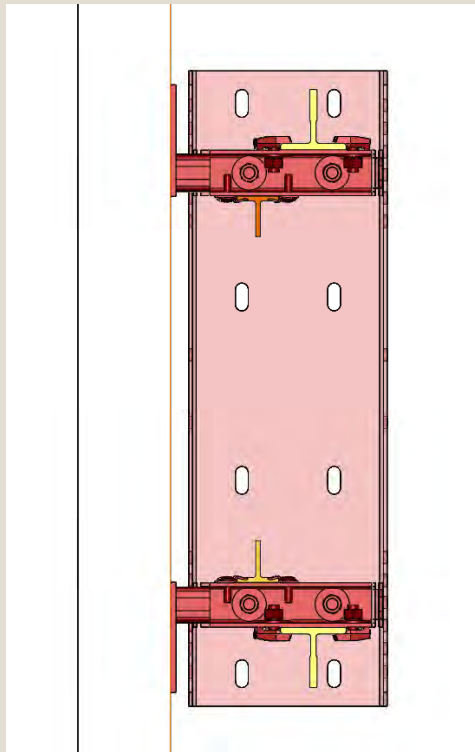
Opposite guide rails

Car guide rails RF70

Cwt guide rails RT45

Regulation continues

Isolated brackets



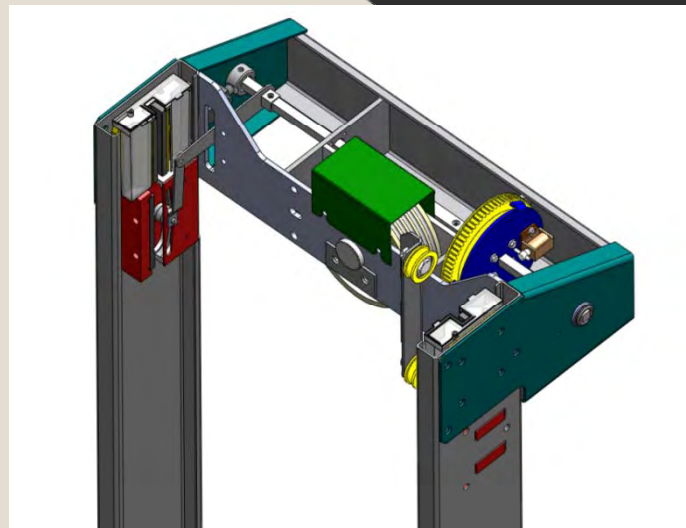
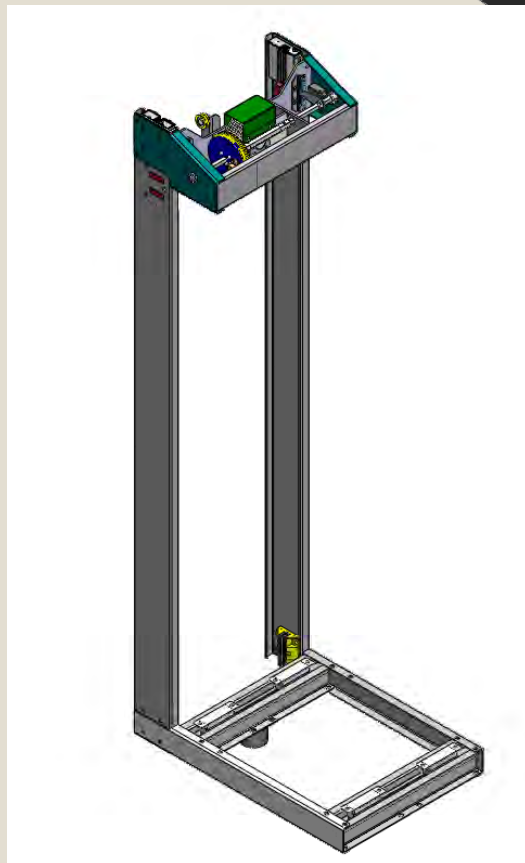
Car frame

L shape car frame

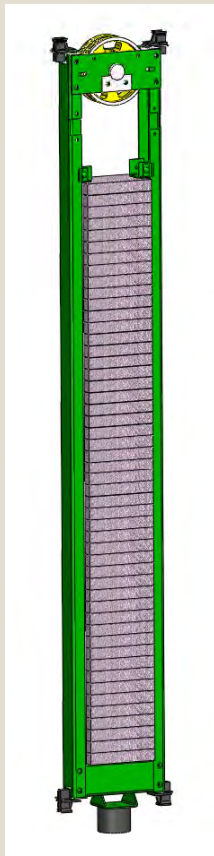
Pulley $\varnothing 200$

Ropes $\varnothing 6,5$

Safety gear+overspeed governor
placed on top frame



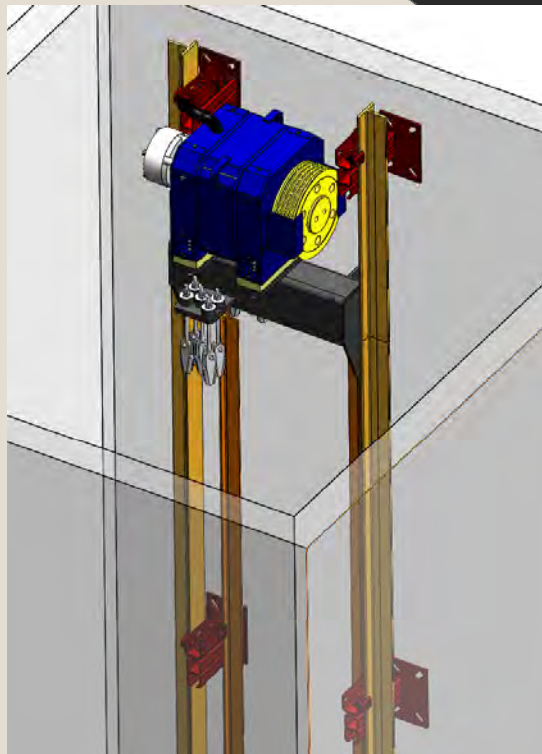
Counterweight



Acting 2:1
Pulley $\varnothing 200$ 6,5 \varnothing
Centered acting
Steel weights



Machine+Stand



Reduced weight and dimensions
(220x400x270mm)

Traction pulley $\varnothing 200$ 5x6,5 \varnothing

3 phase or single phase.

Machine placed on guide rails.

Cabine and countersweight
anchors on machine stand.

Machine isolated.



Various

Overspeed governor with toothed belt.

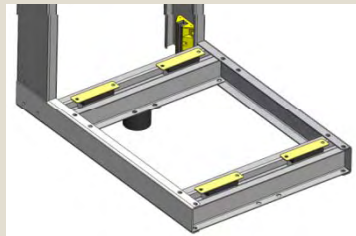
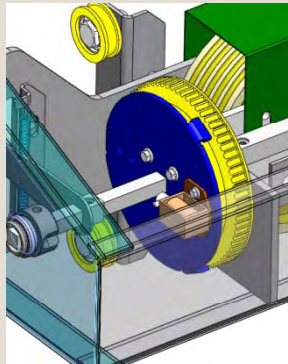
Overload electronic cells.

Inverter Fuji Frenic.

Controller in landing door frame (any floor position)

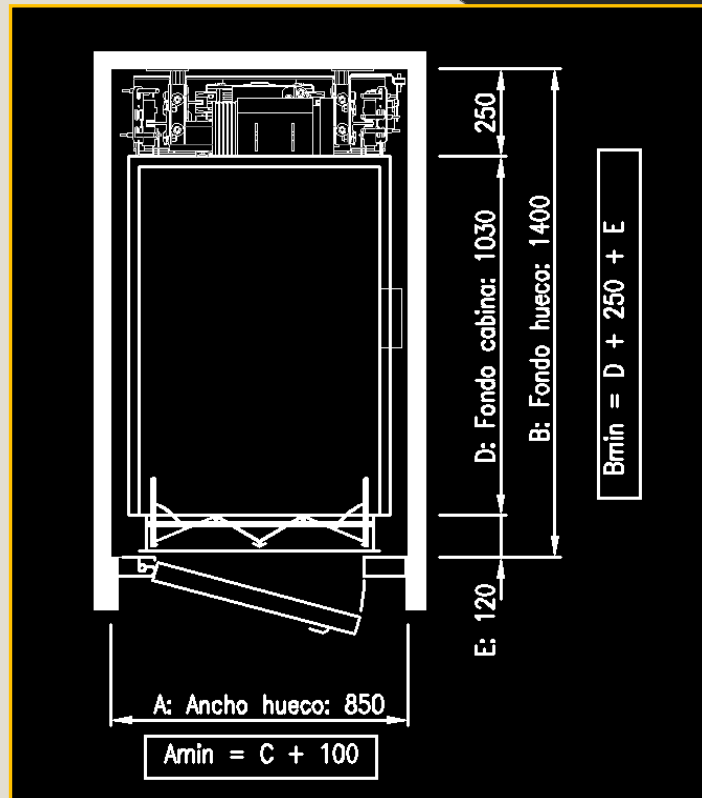
Optional:

Devices fulfillment EN81-21

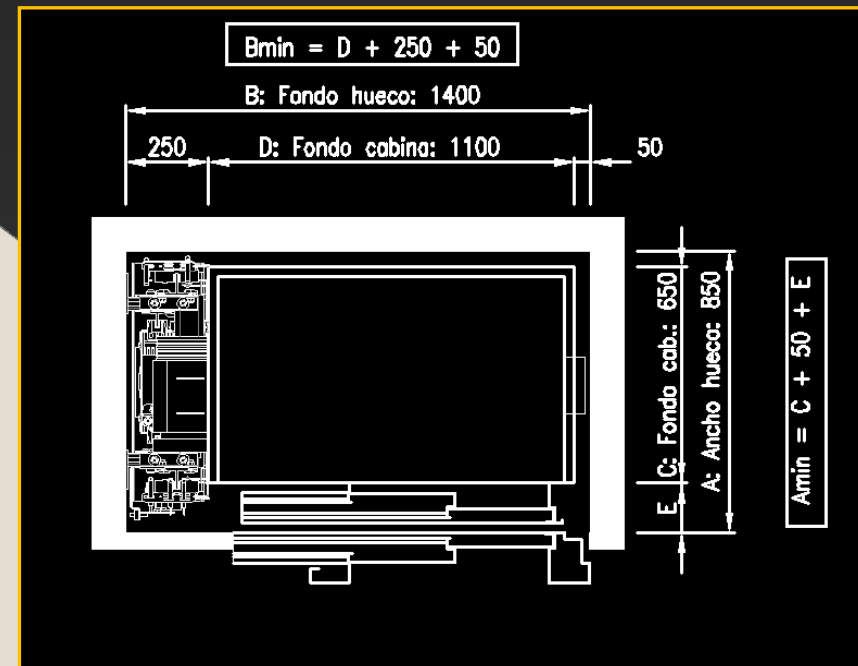


Layouts

Back



Side

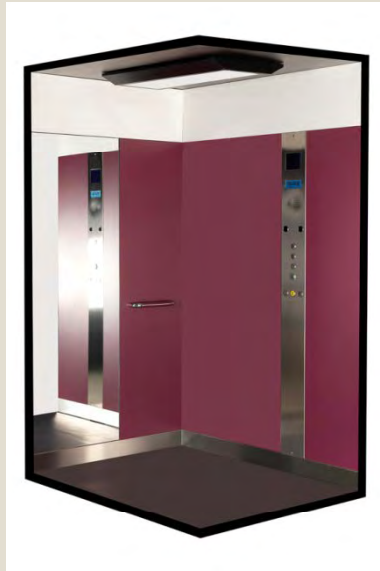


Minimum shaft width 850mm



Cabines

Combination with
ACUARELA series



Moving forward & moving on

www.felesa.com

